



Site2Site Deployment

v 1.2

Site2Site Features

Key benefits of Site2Site Solutions:



Fully Meshed Office to Office Connectivity: ZeroOutages ensures 24/7 uptime between offices with our fully meshed VPN technology.

Optimized WAN Performance: ZeroOutages provides built-in network caching, application prioritization and TCP optimization.



Improved Security: With AES and 3DES encryption and the ability to split sessions between multiple connections our Site2Site solutions are more secure than IPSec.

Problems with Existing VPNs

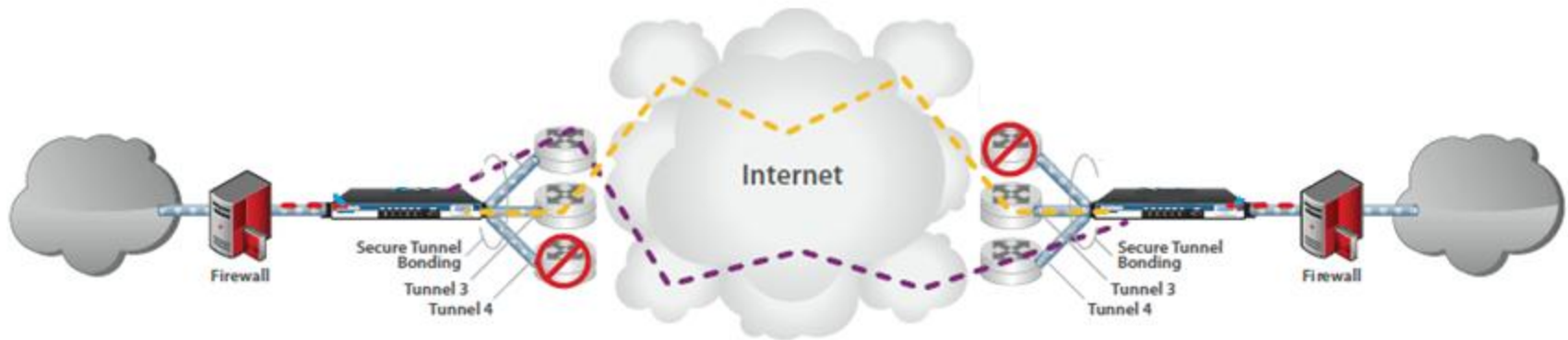
- **No Redundancy:** Most VPN solutions today suffer from a lack of network redundancy. In the event of a link or equipment failure, all remote sites go down.



- **No Prioritization:** Existing VPN solution don't have the ability to dynamically prioritize application traffic, so large file downloads can slow site-to-site connections to a crawl.

The Solution

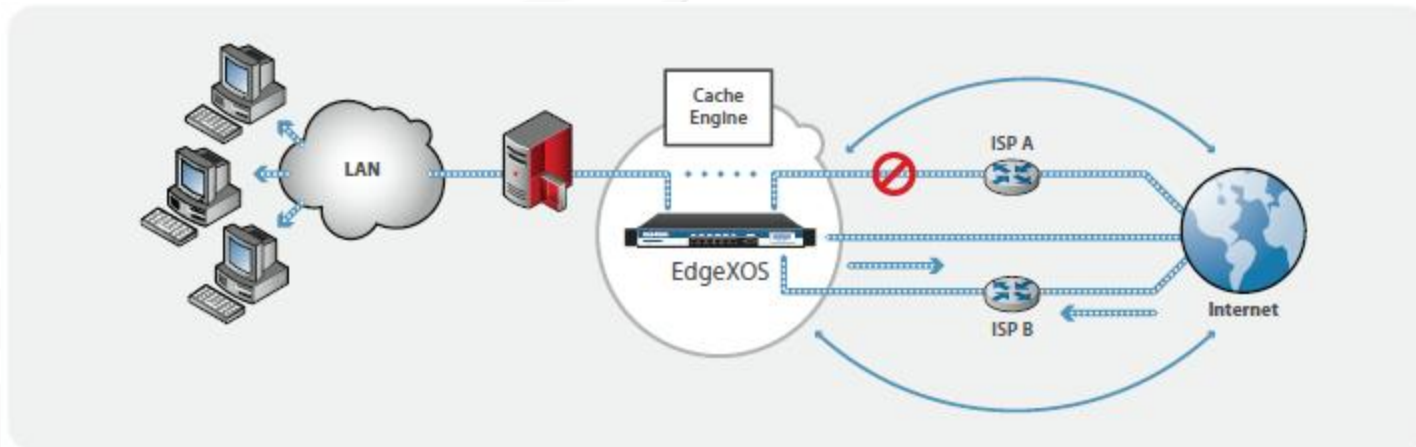
- **Site2Site Virtualized VPN:** By leveraging fully meshed network connectivity our Site2Site solutions ensure highly resilient (99.9999% uptime) remote office connectivity.



- **Dynamic Shaping:** Our Site2Site VPN ensures that mission critical applications have guaranteed bandwidth between the sites and lower priority traffic is throttled to prevent slow connectivity.

Patented Split-Tunnel Bonding

- ZeroOutages incorporates split-tunnel bonding technology called **Accelibond™** which can dramatically improve remote file access via standard web connectivity.
- ZeroOutages is the only managed solution which offers this type of acceleration.



Combine tunnels across many links, DSL, Cable, Wireless, T1, Metro Ethernet, etc.

Trusted by Fortune 500 Companies

ZeroOutages has been deployed across a wide array of business and network environments, for both Fortune 500 as well as small to medium sized organizations for over 10 years in over 50 countries.



Built-In Firewall

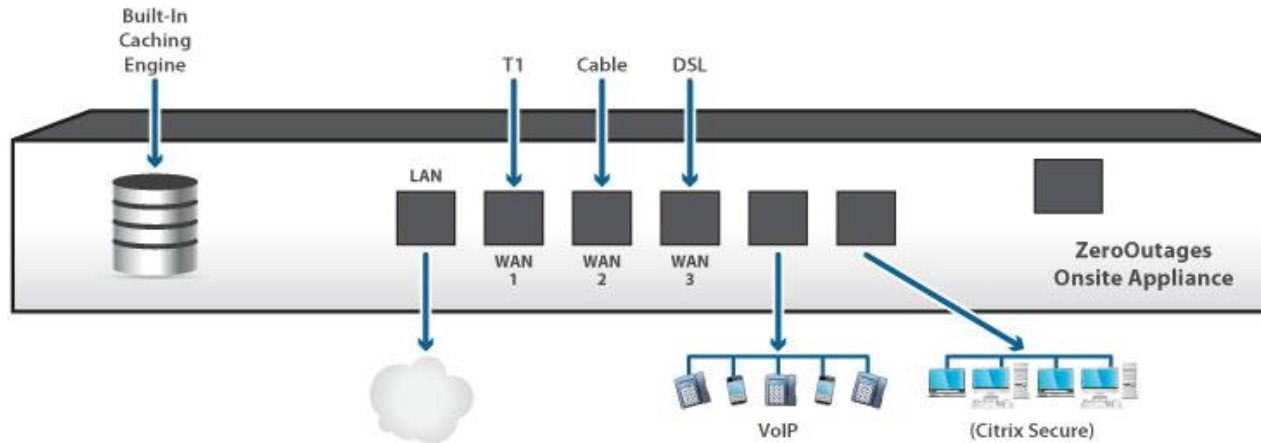
ZeroOutages onsite appliances incorporate packet-level network protection and security.



The Internet is full of threats.

- Built-in Intrusion Prevention Services with daily updates provided through Emerging Threats.
- Built-in content filtering based on real-time URL lookups for both http and https websites.
- Built-in packet level security with hundreds of pre-defined application signatures.

ZeroOutages Platforms

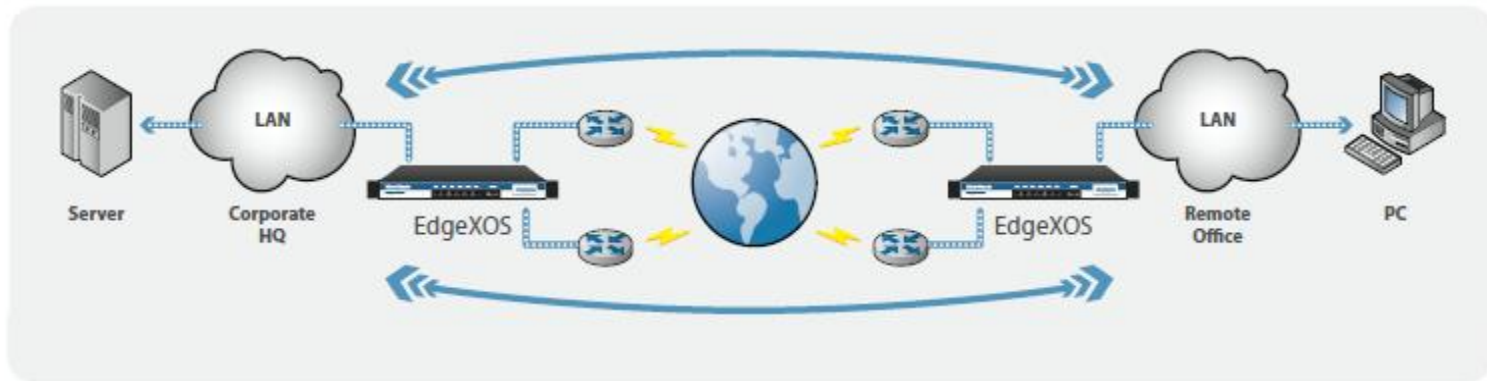


ZeroOutages onsite devices are designed specifically for remote office redundancy and optimized WAN connectivity.

The features offered via the ZeroOutages appliance include: Site2Site Tunneling, Dynamic QoS /Traffic Shaping, Deep Path Inspection, Instant Internet Failover, Internet Bonding, Internet Caching, Best Path Routing, Real-Time Network Reporting, and Secure WAN Firewall.

Complete Visibility

- **Site2Site** gives our customers complete visibility in to their network connectivity. With real-time reporting of network utilization between sites, application usage per site, and comprehensive testing across each tunnel.



- Site2Site tunnels are based on SSL and have highly secure AES encryption. Tunnel metrics are reported back to the ZOOM portal continuously so that customers can easily see how their WAN is performing.

ZeroOutages 24/7 Reporting

ZeroOutages' enables customers to see exactly how their Site2Site tunnels are performing via our ZOOM portal, which constantly tests the tunnels and alerts upon the detection of potential network issues.



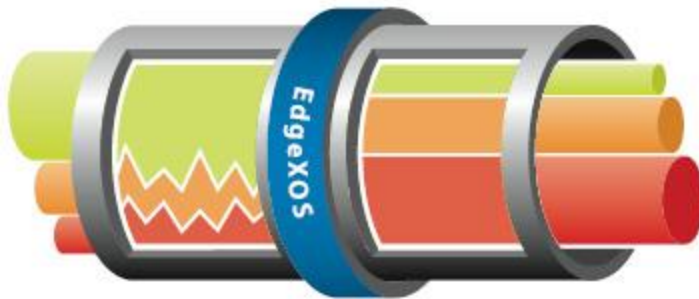
Individual Appliance Reporting

The ZOOM portal gives customers the ability to quickly see how each site is performing, how much bandwidth they are using and generate over 20 custom reports.



End-to-End Shaping

- **Dynamic Application Shaping** monitors session flows in real-time and throttles top abusers automatically to prevent any one user from abusing site-to-site bandwidth.
- **Dynamic Policy-Based Shaping** can then guarantee bandwidth for business critical applications like VoIP and remote desktop (RDP) without slowing down other traffic when more bandwidth is available.



- Recreational
- E-mail, FTP, etc.
- Critical Applications





Contact your ZeroOutages representative or
visit our website
<http://www.zerooutages.com>
for more information or to begin an evaluation.